

# Series RDI

# Recessed Direct/Indirect

Fluorescent Lighting



### Application

Premium grade, recessed, high performance, lay-in direct/indirect coffered T-bar troffer with modern styling and high visual comfort. Comes with single basket shaped perforated metal shield. Available in 2'x2' and 2'x4' configurations. Shallow design accommodates mounting into low ceiling plenums. For use in indoor applications where low glare, high quality and ease of installation are required.

### Features

- Single, basket shaped perforated metal shield.
- Translucent, opal white acrylic diffuser overlay.
- Clean appearance.
- No exposed fasteners.
- T5, T8 or Biax lamps.
- UL listed and labeled

### Construction

Die and brake formed, heavy gauge cold rolled steel housing assembly. Precision formed, cold rolled steel reflector. Die formed, perforated cold rolled steel shielding. Metal shielding flexes over mounting studs on housing, for easy installation and re-lamping. Wiring access plate or knockouts are provided on back of housing, for flexible conduit attachment.

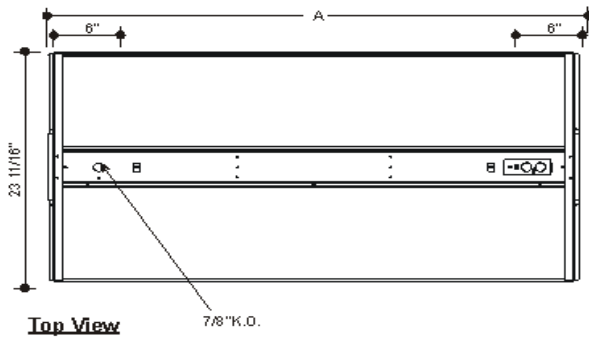
### Optics

Shields are perforated for direct illumination and contain a translucent opal white acrylic overlay diffuser for visual comfort. Indirect reflectors are precision formed and contoured to provide soft, low glare indirect illumination while maintaining high efficiency and a wide uniform lighting distribution.

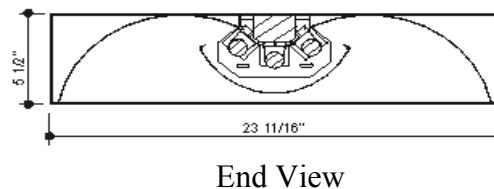
### Ordering Information

Series	Dimensions	LampQty.	Lamp Wattage	Voltage	Ballast Options	Dimming Options	Lamp Options
RDI	22=2x2	2	17	120	BB=Battery Backup	AD7=Advance	LI30=3000k
	24=2x4	3	25	277	DS=Dual Switching	Mark 7	LI35=3500k
	1X4=1x4		32	UNV		AD10=Advance	LI41=4100k
			FP14	(120-277)		Mark10	LI50=5000k
			FP21			LDE=Lutron	
			FP28			Eco10	
		FP54			LDH=Lutron		
		40 BX			Hi-Lume		
		(2x2)					

### Dimensions



MODEL	NOMINAL LENGTH	A
2x2	24"	23 3/4"
2x4	48"	47 3/4"



300-308 Vine Street, NW, Washington, DC  
 20012 Office: (202) 882-5181 Fax:  
 (202) 882-5182

Type:  
 Cat.#:  
 Project: