

Series EN

Recessed Troffer

Application

Recessed, lay-in T-Bar fixture with framed door. For use in applications where low cost, high quality and ease of installation are required. Shallow design accommodates mounting into low ceiling plenums. Available in 1'x4', 2'x2' and 2'x4' configurations. Available with high reflectance reflector.

Features

- Shallow Design
- Secured by screws
- .100 acrylic prismatic lens standard
- Flush steel door can be latched from either side and locked into position with cam latches.
- Access plate for easy wiring
- Integral earthquake clips standard
- Multiple lamp configurations available
- Pre-lamping available

Construction

Die-formed painted high reflectance white cold rolled steel housing. Wiring access-plate and knockouts are provided on back of housing for flexible conduit attachment. Knockouts are provided on ends for through wiring. Ballast cover snaps into place eliminating the need for tools when accessing the ballast. Diffuser is held within a hinged door frame. The heavy gauge door frame hinges downward on either side and is held in the closed position by two positive cam latches. The metal-to-metal design of the door eliminates most light leaks.

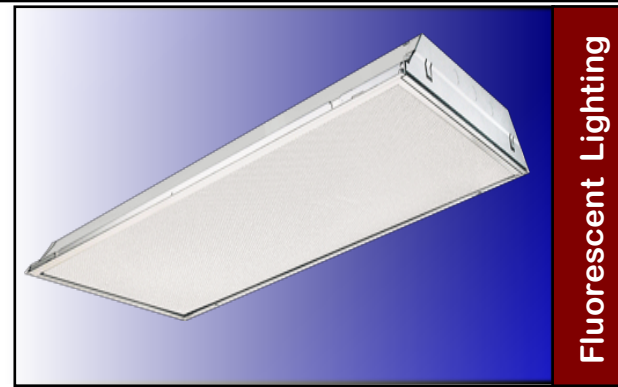
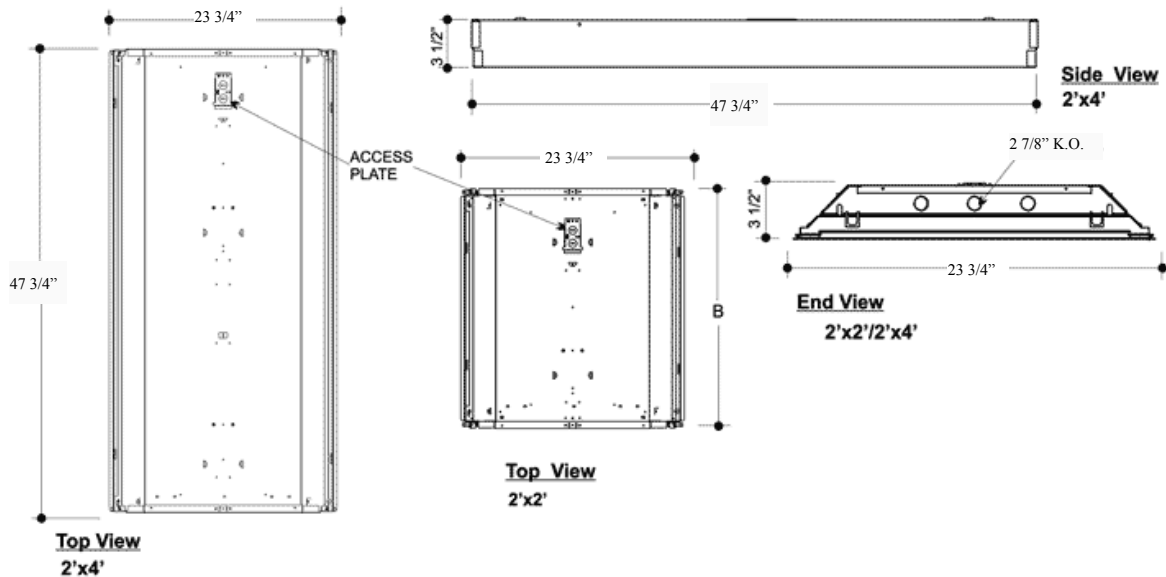
Optics

Standard diffuser is a clear prismatic, pattern #12 extruded acrylic lens, designed for high efficiency and low glare illumination. Optional shielding is available. Optional reflectors and louvers are available.

Ordering Information

Series	Dimensions	LampQty.	Lamp Wattage	Voltage	Ballast Options	Dimming Options	Lens Options	Lamp Options
EN	14=1x4	2	17	120	BB=Battery Backup	AD7=Advance	.125(A12)	LI30=3000k
	22=2x2	3	28	277	DS=Dual Switching	Mark 7	.156 (A19)	LI35=3500k
	24=2x4	4	32U (2x2)	UNV		AD10=Advance	.187(A19)	LI41=4100k
			32	(120-277)		Mark10	.5=.5 eggcrate	LI50=5000k
			FP21			LDE=Lutron	.5SP=.5 Silver Paracube	
		FP28			Eco10	.75PS=.75 Sliver Paracube		
		FP54			LDH=Lutron	1.5SP=1.5 Silver Paracube		
						Hi-Lume		

Dimensions



300-308 Vine Street, NW, Washington, DC
 20012 Office: (202) 882-5181 Fax:
 (202) 882-5182

Type:
 Cat. #:
 Project: