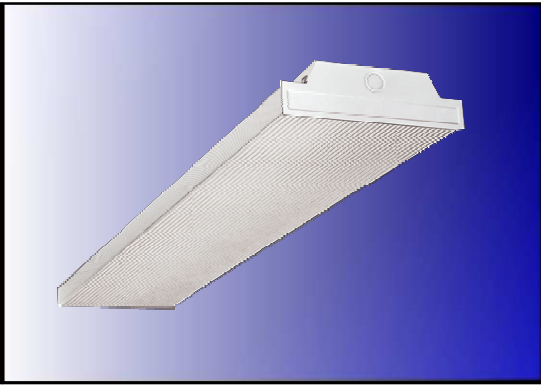


Series CW

Wraparound

Fluorescent Lighting



Application

Mid Grade, shallow, surface mounted wraparound fixture with low brightness linear sides. For use in indoor applications where low glare and ease of installation are required. Sleek modern styling.

Features

- Clear acrylic diffuser with prismatic bottom and ribbed linear sides.
- Diffuser self aligns and hinges from either side for easy maintenance.
- Shallow design available with 2, 3 or 4 lamps.
- Easy re-lamping and re-ballasting.
- Continuous row mounting capability.
- Surface, stem and chain mountable
- Steel housing and ends with white enamel finish.
- Listed by and bears UL label

Construction

Die formed, 22 gauge pre-painted high reflectance white steel housing. Die formed and embossed, 22 gauge pre-painted high reflectance white steel end caps. Inspection knockouts provided on 4' units, for mounting to junction box. Ballast cover snaps into place eliminating the need for tools when accessing the ballast. Diffuser hinges from either side in a lift and shift manner and is self-centering. End caps may be butted together for continuous row mounting. Knockouts are provided for flexible conduit attachment.

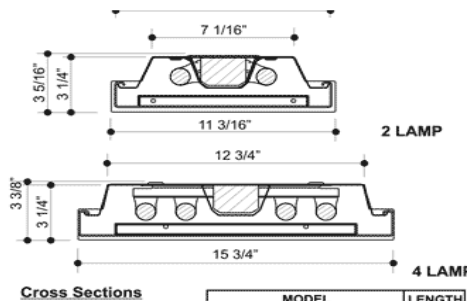
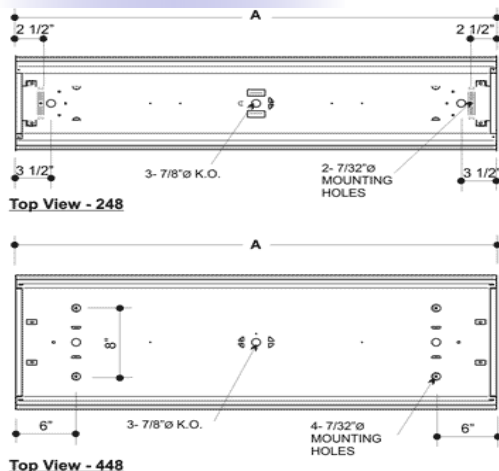
Optics

Wrap-around, extruded clear acrylic diffuser with prismatic bottom and ribbed linear sides, designed for high efficiency and visual comfort.

Ordering Information

Series	Lamp Qty.	Lamp Wattage	Voltage	Ballast Options	Dimming Options	Lamp Options
CW	2	17	120	BB=Battery Backup	AD7=Advance	LI30=3000k
	4	28	277	BB=Battery Backup	Mark 7	LI35=3500k
		32	UNV	(1 Lamp 500 Lum)	AD10=Advance	LI41=4100k
		FP14			Mark 10	LI50=5000k
		FP28			LDE=Lutron	
		FP54			Eco10	
				LDH=Lutron		
				Hi-Lume		

Dimensions



Cross Sections

MODEL			LENGTH A (in)
* 1 LAMP	2 LAMP	4 LAMP	
124	224	424	24
136	236	436	36
148	248	448	48
148/2	248/2	448/2	96
196	296	496	96

* Available only with shallow electronic ballast.



300-308 Vine Street, NW, Washington, DC
20012 Office: (202) 882-5181
Fax: (202) 882-5182

Type: _____
Cat.#: _____
Project: _____